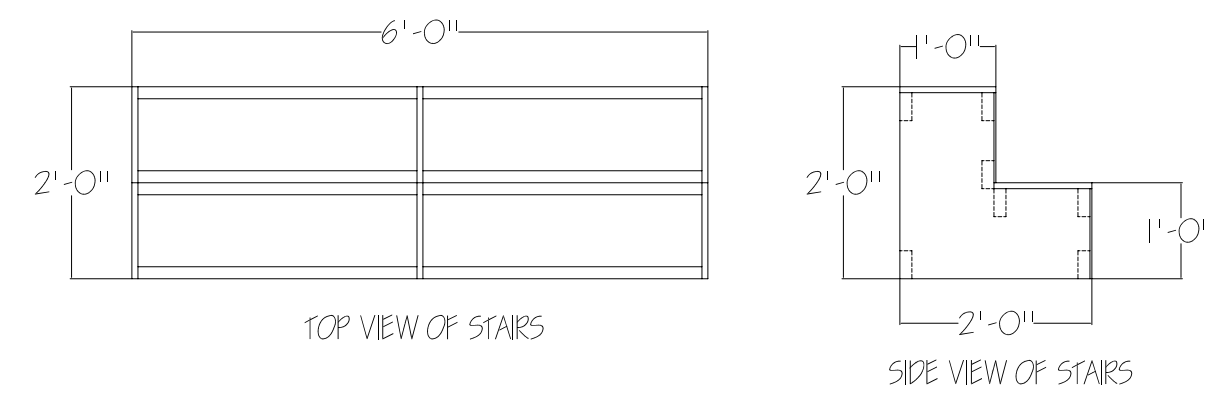
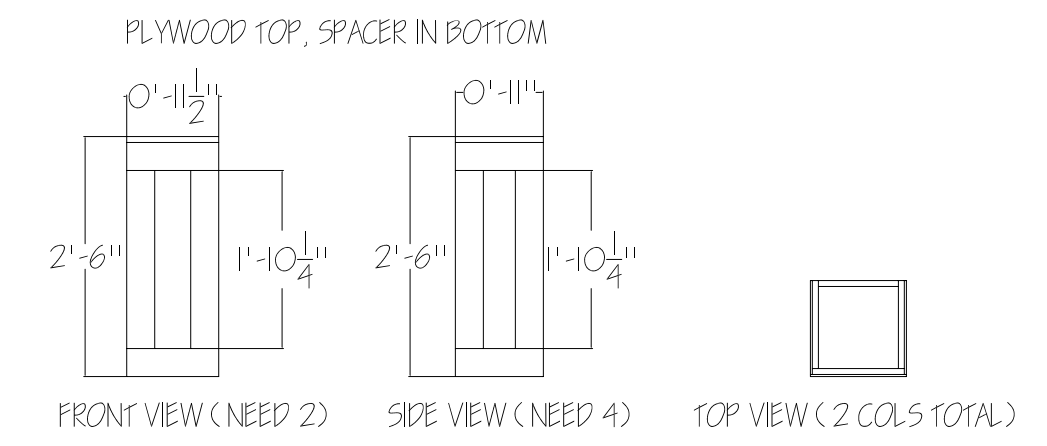


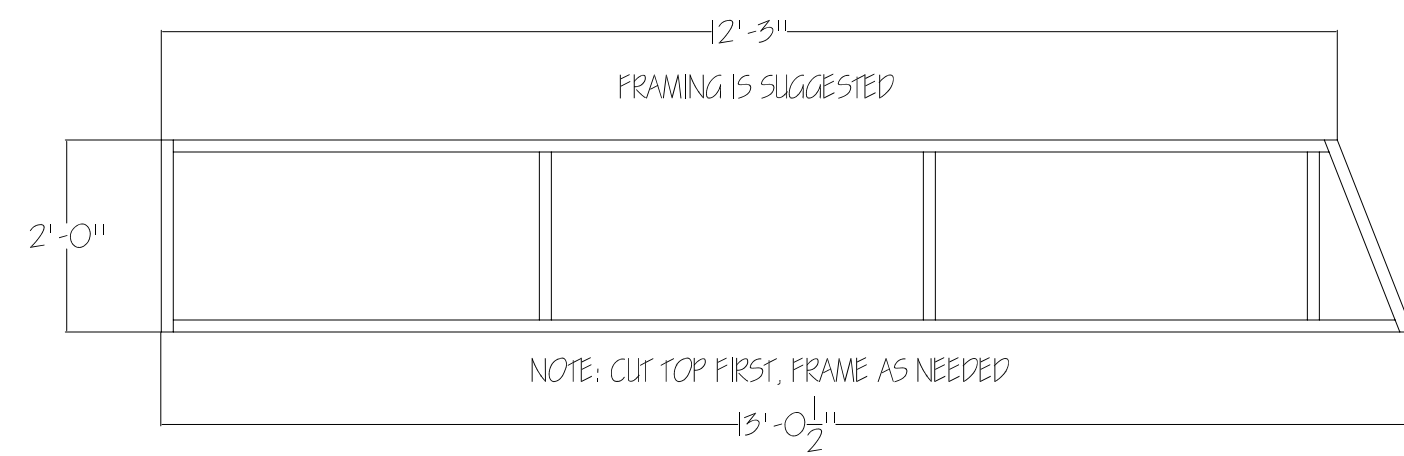
1 HEDGE RUNWAY
SCALE: 1/2" = 1'-0"



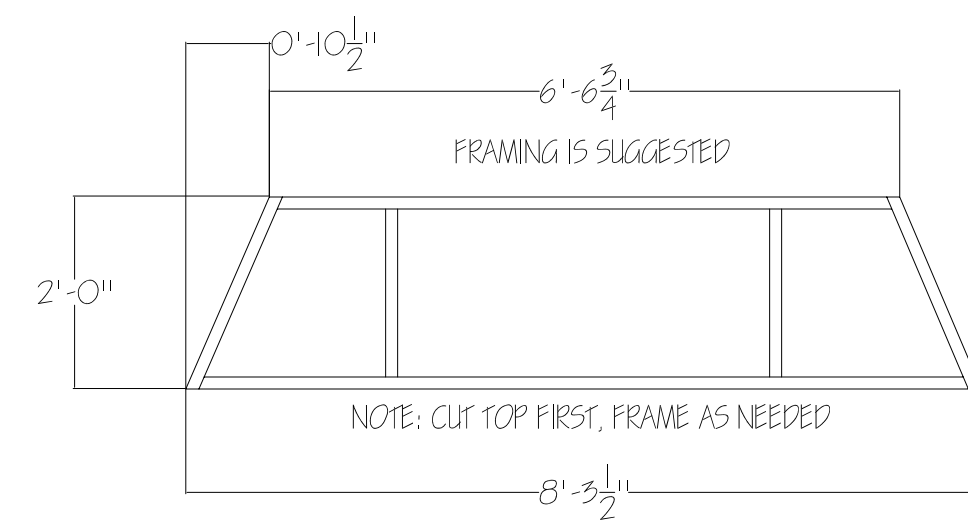
2 HEDGE RUNWAY STAIRS
SCALE: 1/2" = 1'-0"



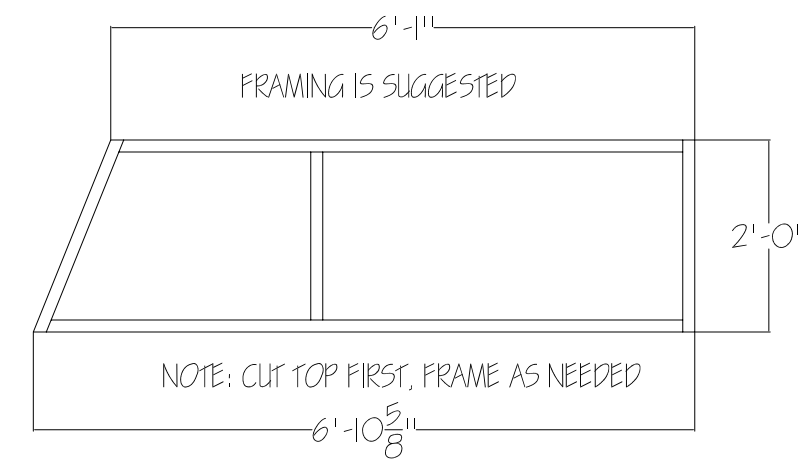
3 HEDGE RUNWAY SIDE COLS (BUILD 2)
SCALE: 1/2" = 1'-0"



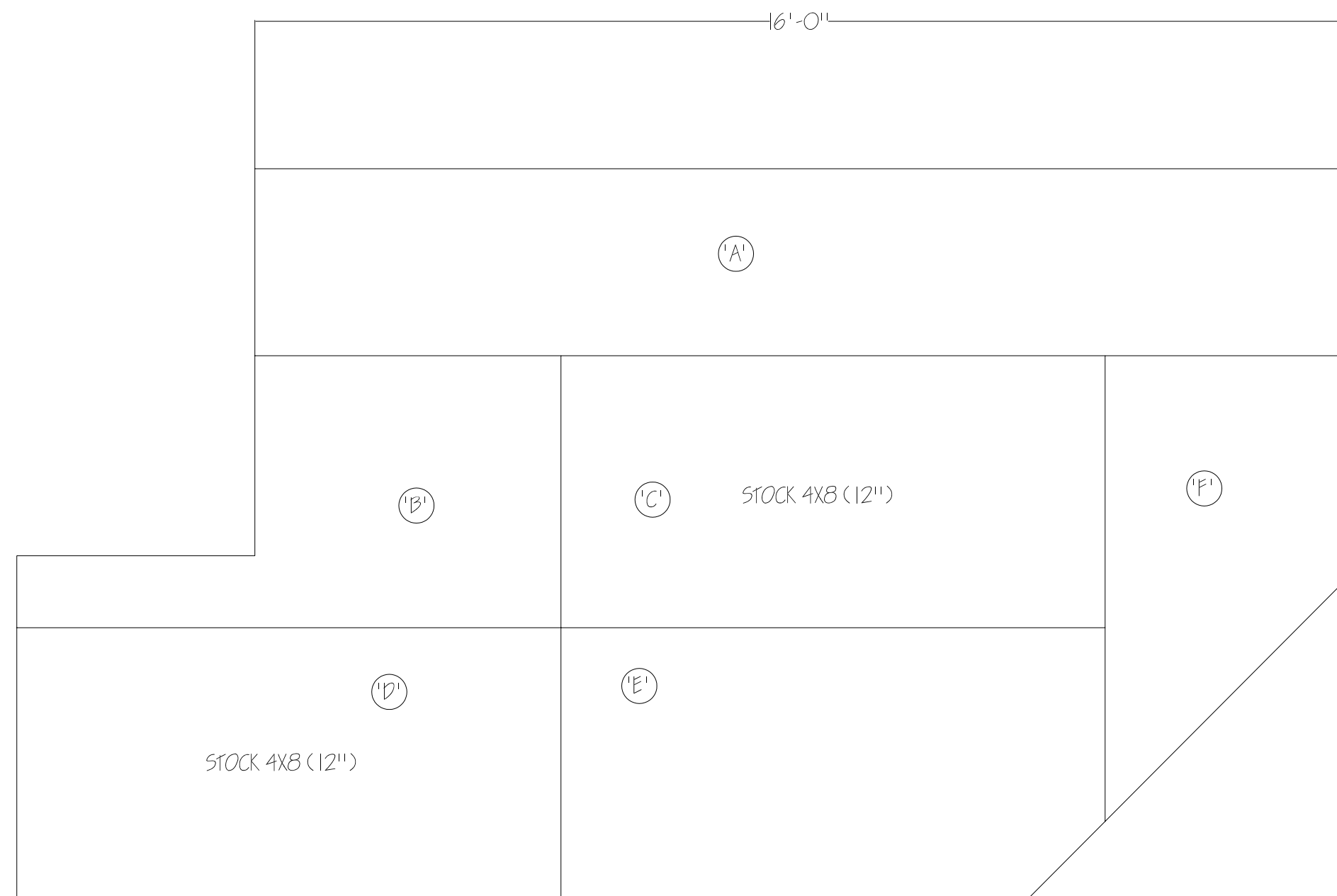
4 PLATFORM STAIR 'A' (6")
SCALE: 1/2" = 1'-0"



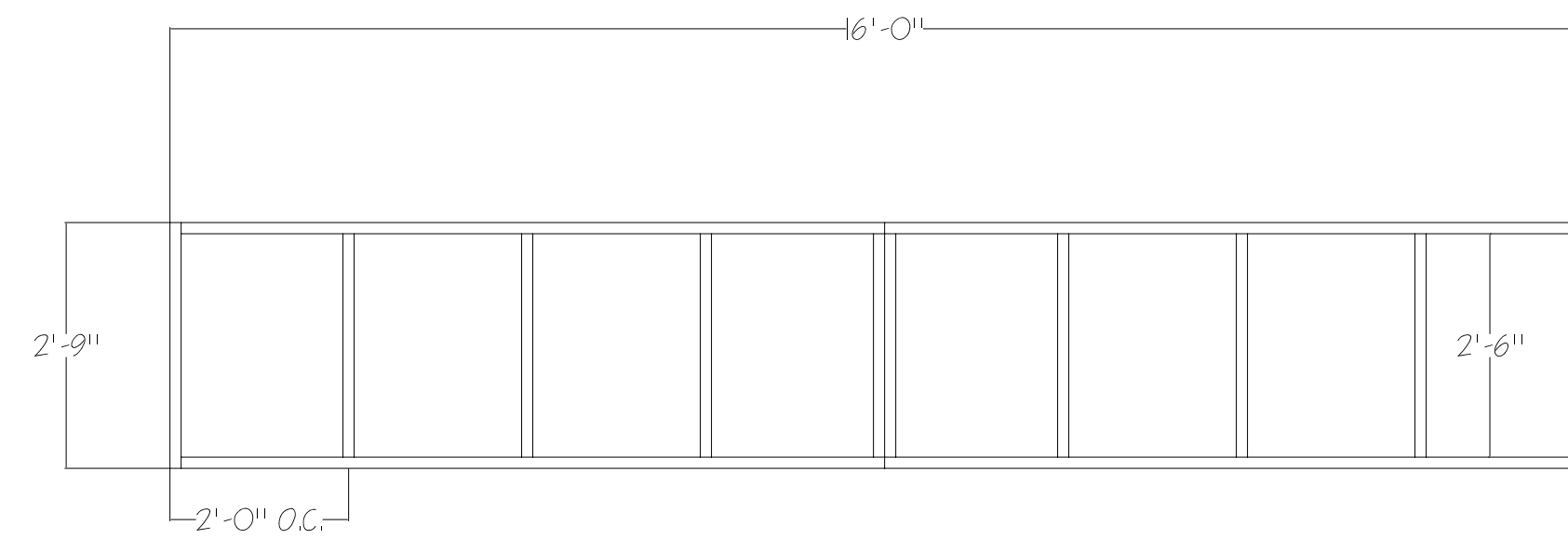
5 PLATFORM STAIR 'B' (6")
SCALE: 1/2" = 1'-0"



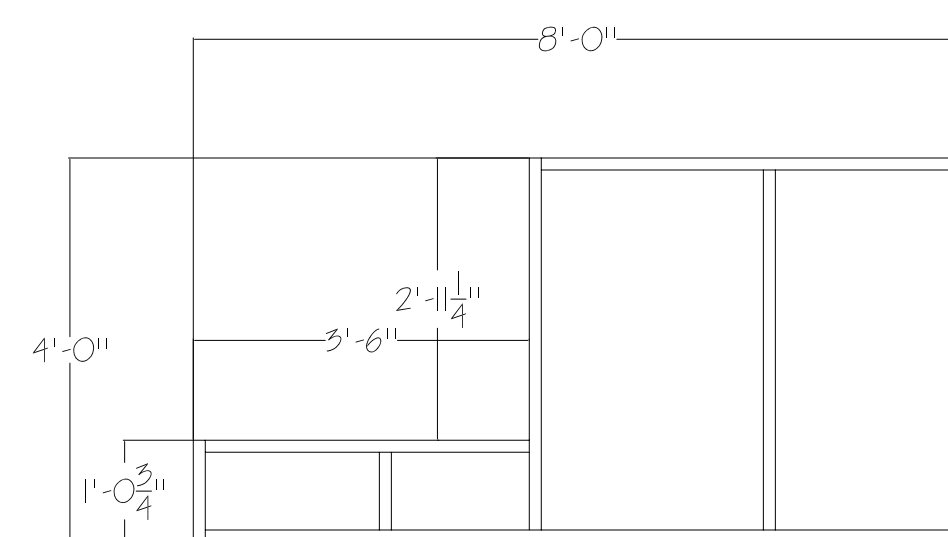
6 PLATFORM STAIR 'C' (6")
SCALE: 1/2" = 1'-0"



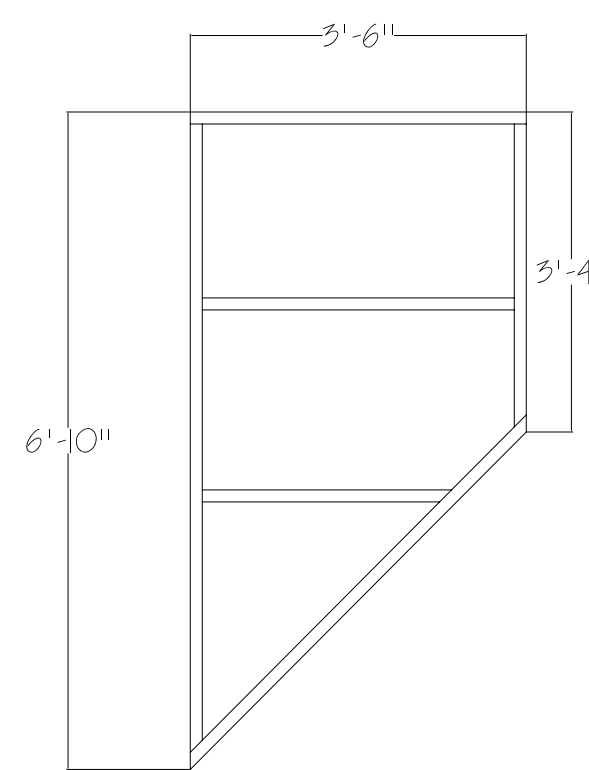
NOTE: NONE OF THESE SHOULD BE CASTERED - TO STORE ON TOP OF RUNWAY



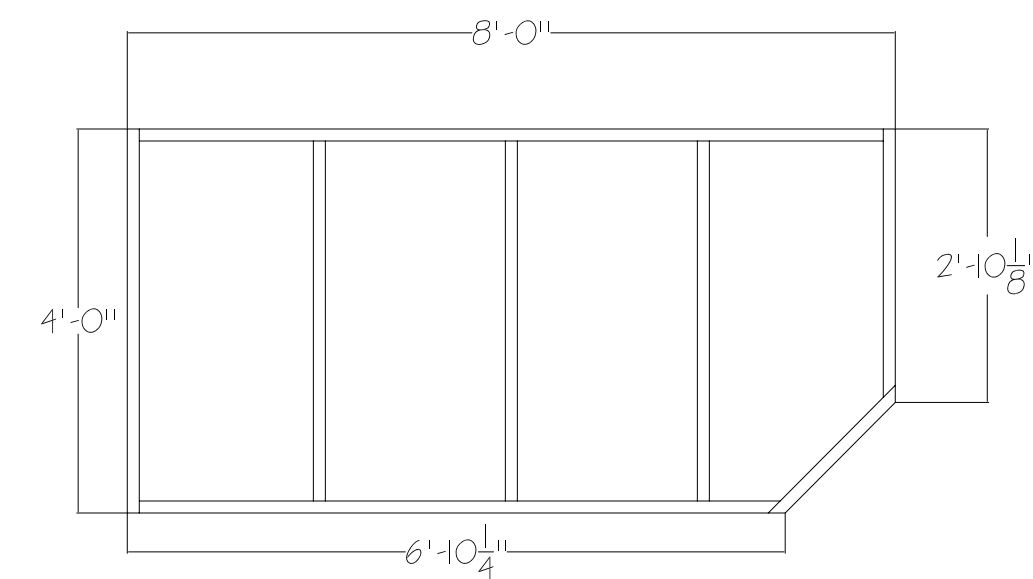
8 PLATFORM PART 'A' (12") (2 HINGED HVLVES)
SCALE: 1/2" = 1'-0"



9 PLATFORM PART 'B' (12")
SCALE: 1/2" = 1'-0"



10 PLATFORM PART 'F' (12")
SCALE: 1/2" = 1'-0"



11 PLATFORM PART 'E' (12")
SCALE: 1/2" = 1'-0"

MODEL PHOTO	
THE OHIO LIGHT OPERA - 27TH SEASON - 2005	
SORCERER / TULIPITAN	
TECH ELEV.	
DIRECTOR: JULIE WRIGHT	DWG. NO. 11-1
DESIGNER: TYMBERLEY WHITRIG	OF _____
TECH DIRECTOR: JONATHAN T. SAGE	CKD: _____
DRAFTER: JONATHAN T. SAGE	DRAWING DATE: _____
APPROVED: _____	DATE: _____
SCALE: _____	_____