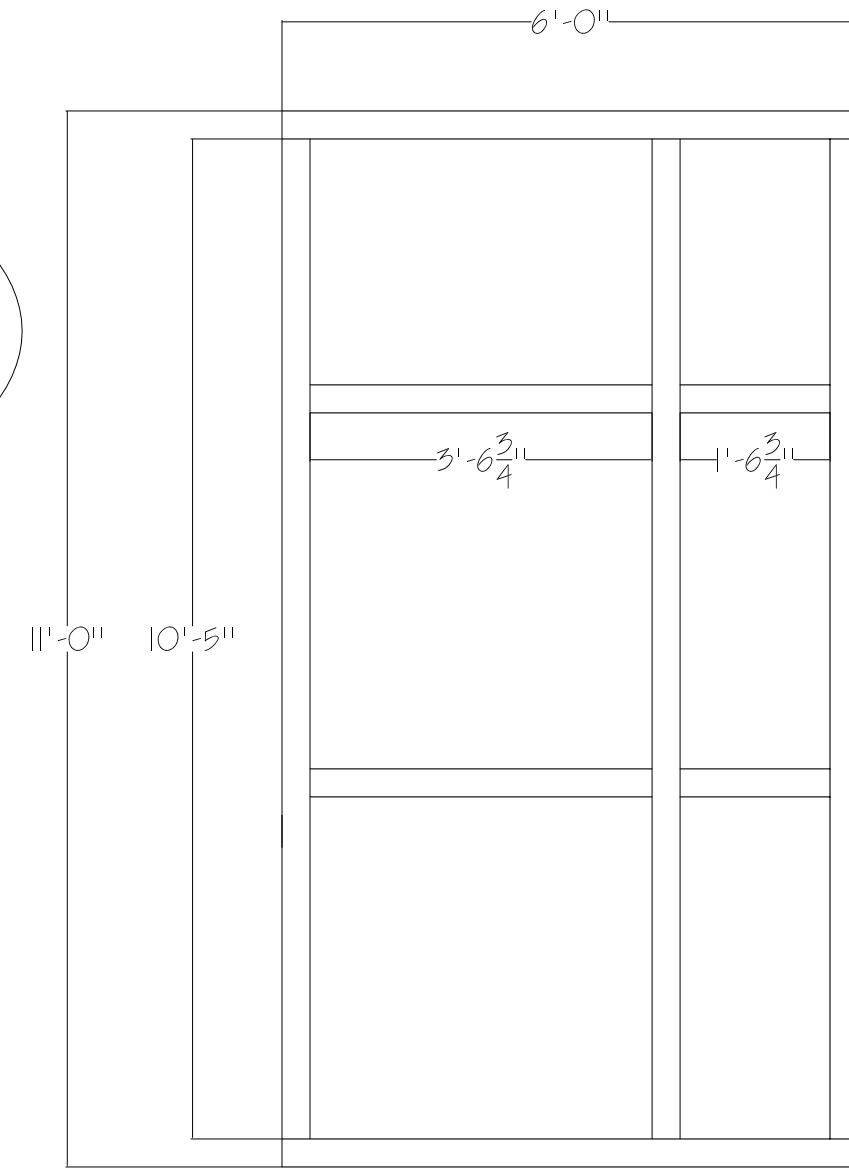


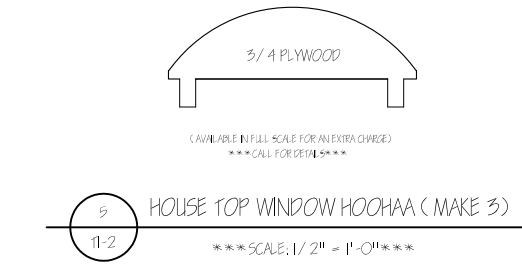
1 HOUSE FRONT FRAMING
SCALE: 1/2" = 1'-0"



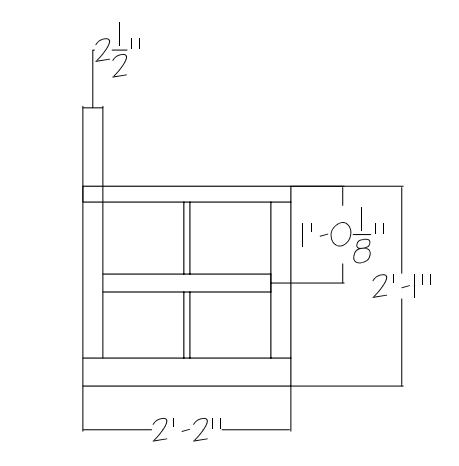
2 HOUSE SIDE FRAMING
SCALE: 1/2" = 1'-0"

*** McNOTE: UNIT WILL BE FLOWN. SIDE PANEL IS TO HINGE TO BACKSIDE OF FRONT UNIT IN ORDER TO FOLD FOR STORAGE.

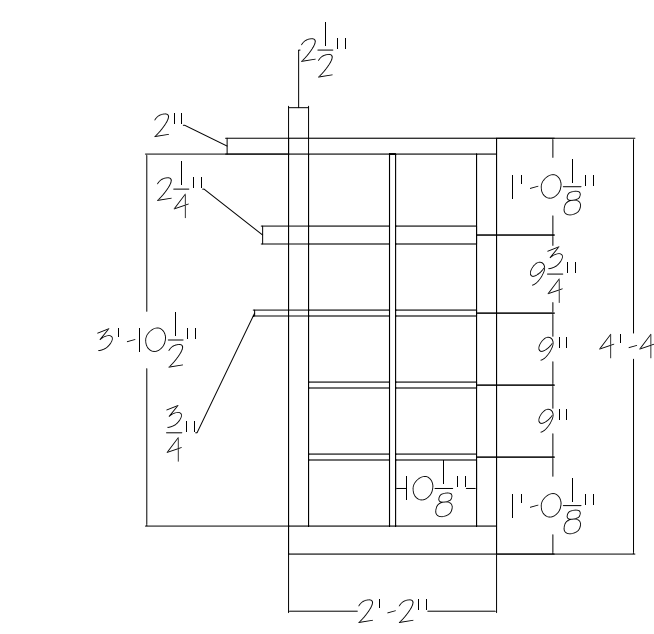
*** McNOTE: McWINDOWS ARE KEYSTONED AND CORNER BLOCKED, MOUNTED TO REAR OF PLAT. McDOOR IS HALF-LAPPED MILITONS AND MILLIONS



3 HOUSE TOP WINDOW HOOD (MAKE 3)
SCALE: 1/2" = 1'-0"

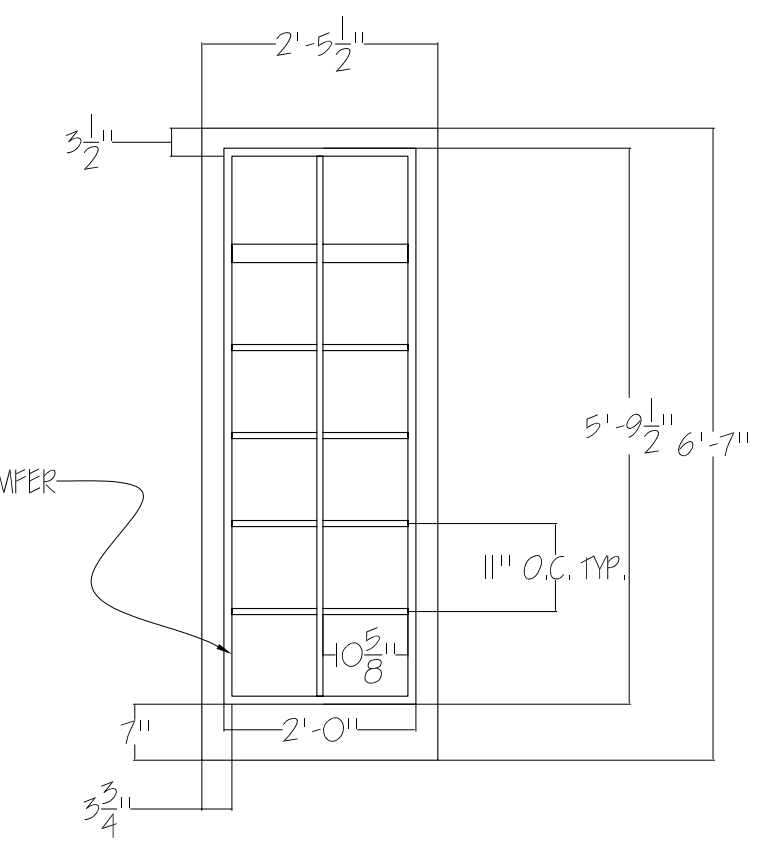


HOUSE SMALL WINDOW
SCALE: 1/2" = 1'-0"

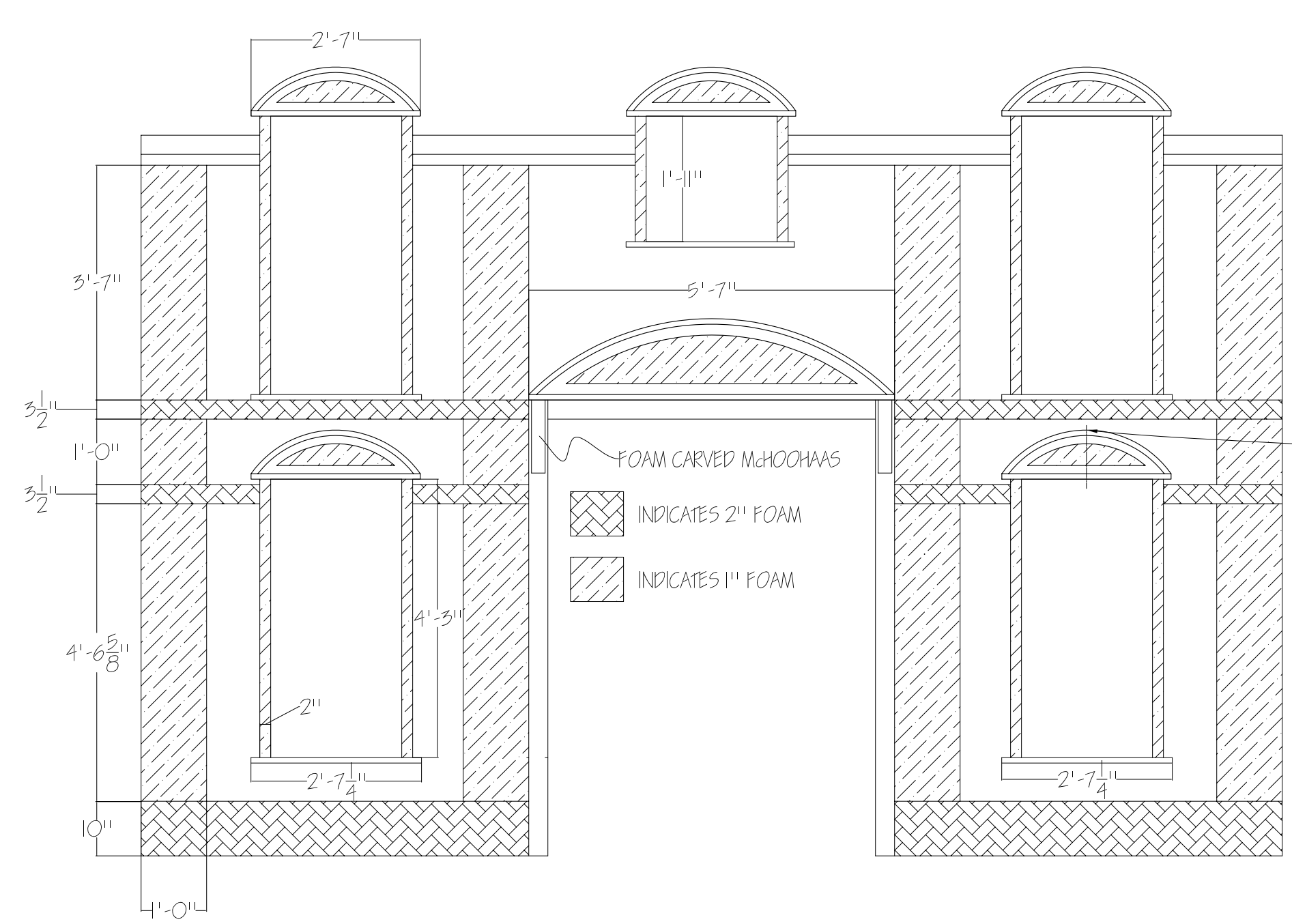


*** NOTE: WINDOWS ARE TO MOUNT BEHIND UNIT

4 HOUSE LARGE WINDOWS (MAKE 4)
SCALE: 1/2" = 1'-0"

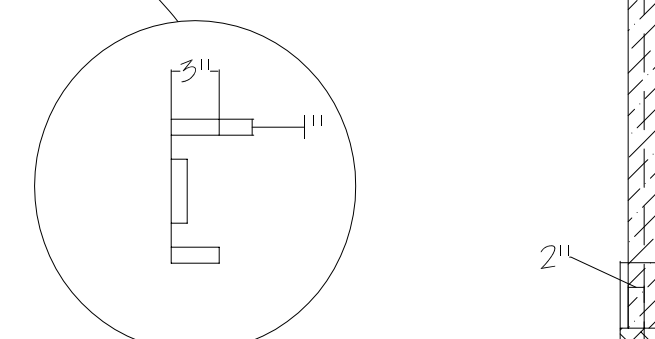


5 HOUSE DOORS (MAKE 2)
SCALE: 1/2" = 1'-0"

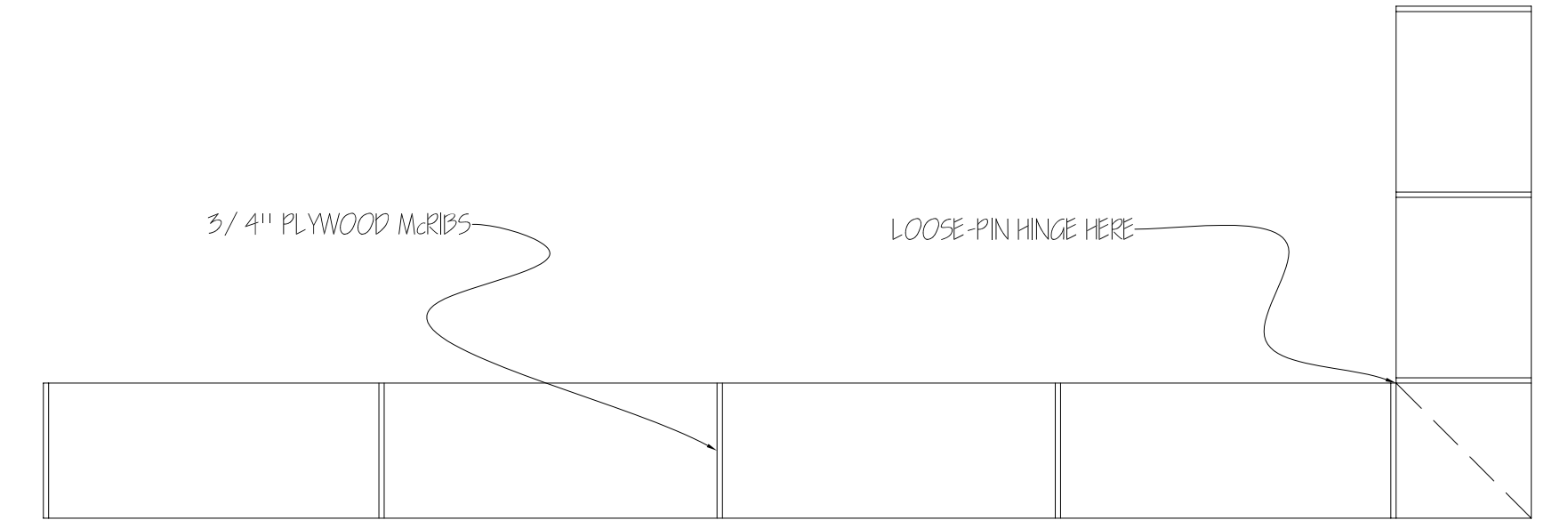


6 HOUSE FOAM DETAIL LAYOUT
SCALE: 1/2" = 1'-0"

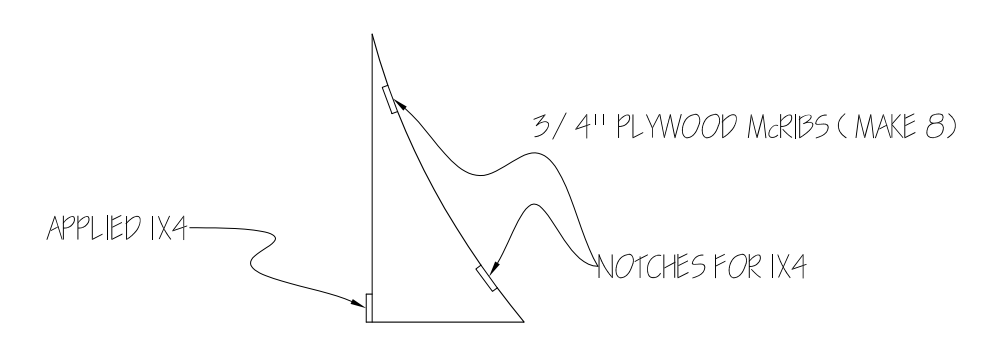
*** McNOTE: FOAM ON SIDE UNIT WILL OVERHANG TO FACILITATE FOAM CARVING.



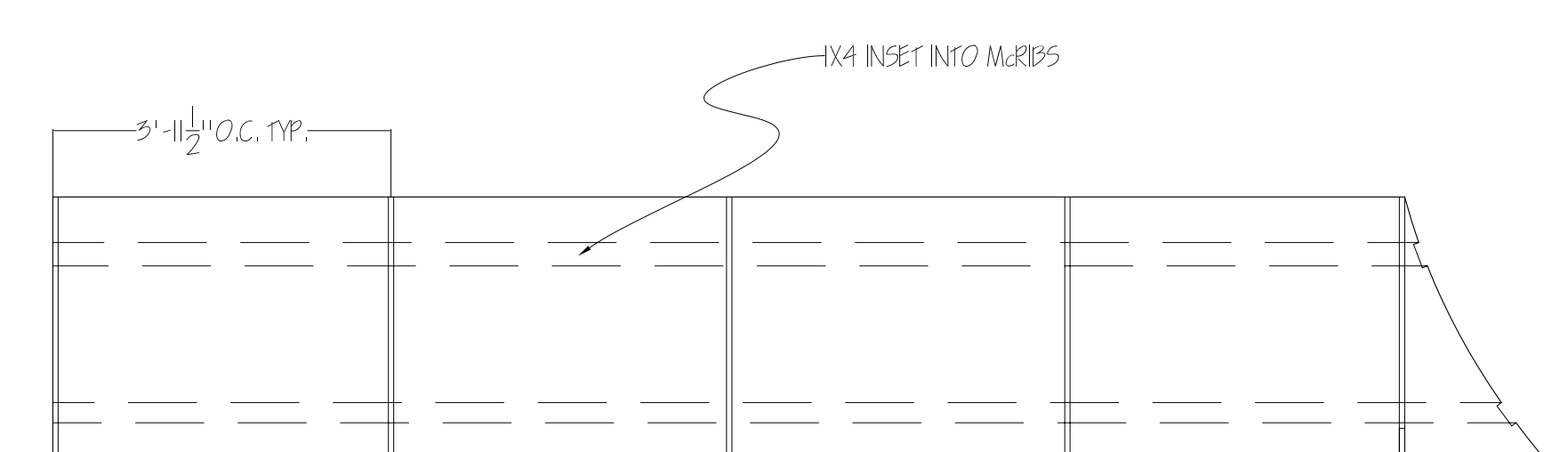
*** SCALE: 1" = 1' *** McSECTION VIEW OF WINDOW TOPPER



7 HOUSE ROOF PLAN VIEW
SCALE: 1/2" = 1'-0"



8 HOUSE ROOF M-SECTION
SCALE: 1/2" = 1'-0"



9 HOUSE ROOF ELEVATION
SCALE: 1/2" = 1'-0"

*** McNOTE: ROOF SHOULD BE FACED IN 1/8" MESSO OR OTHER BENDY MATERIAL.

MODEL PHOTO	
THE OHIO LIGHT OPERA - 27TH SEASON - 2005	
SORCERER / TULIPITAN	
TECH ELEV.	DWG. NO.
DIRECTOR: JULIE WRIGHT	11-2
DESIGNER: TYMBERLEY WITTRIG	OF _____
TECH DIRECTOR: JONATHAN T. SAGE	CKD: _____
DRAFTER: BRIAN C. ADAMS	DRAWING DATE: _____
APPROVED: _____	DATE: _____
SCALE: _____	_____