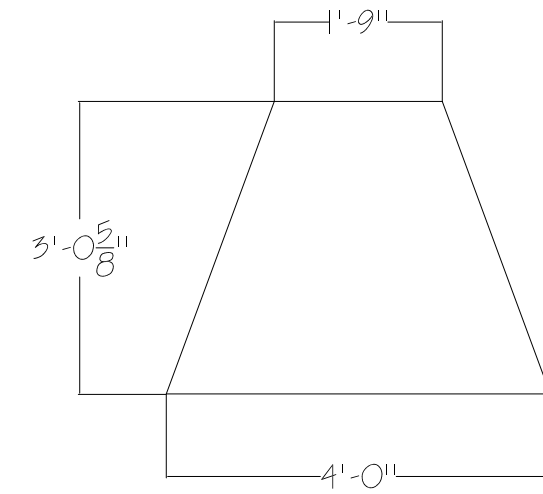
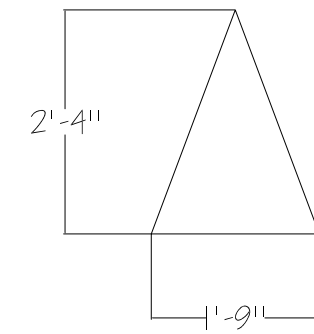


NOTE: FRAME IS 1X4@2"
NOTE: SEE TYMBERLEY FOR INTERNAL DETAIL
NOTE: BUILD 6

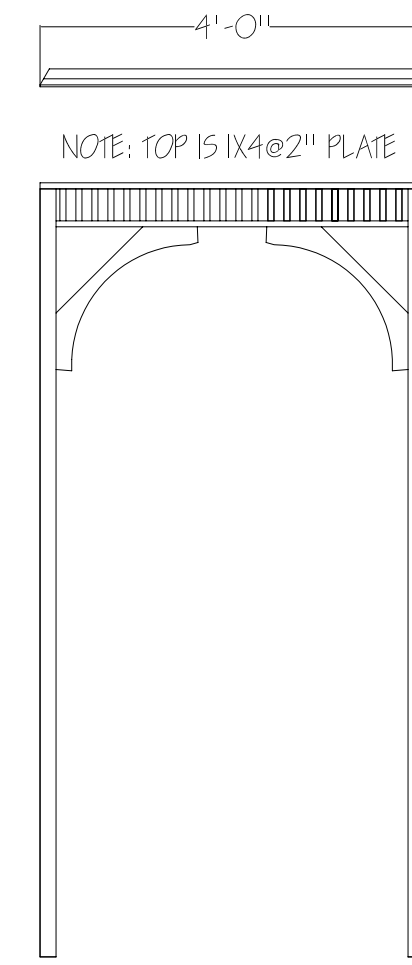
1 UPPER GAZEBO WALL
SCALE: 1/2" = 1'-0"



2 LOWER GAZEBO ROOF
SCALE: 1/2" = 1'-0"

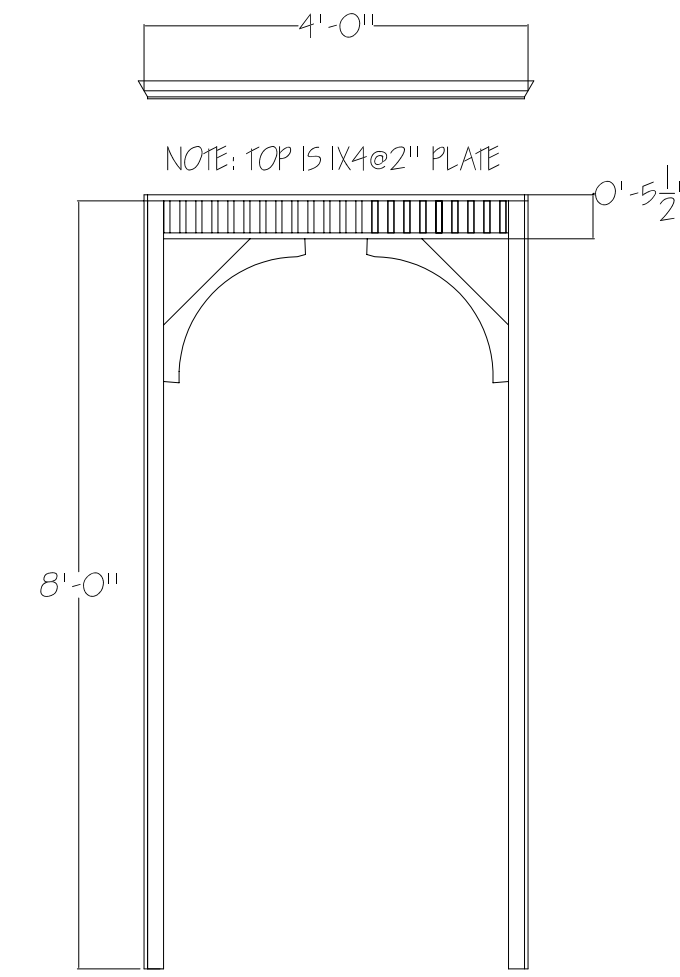


3 UPPER GAZEBO ROOF
SCALE: 1/2" = 1'-0"



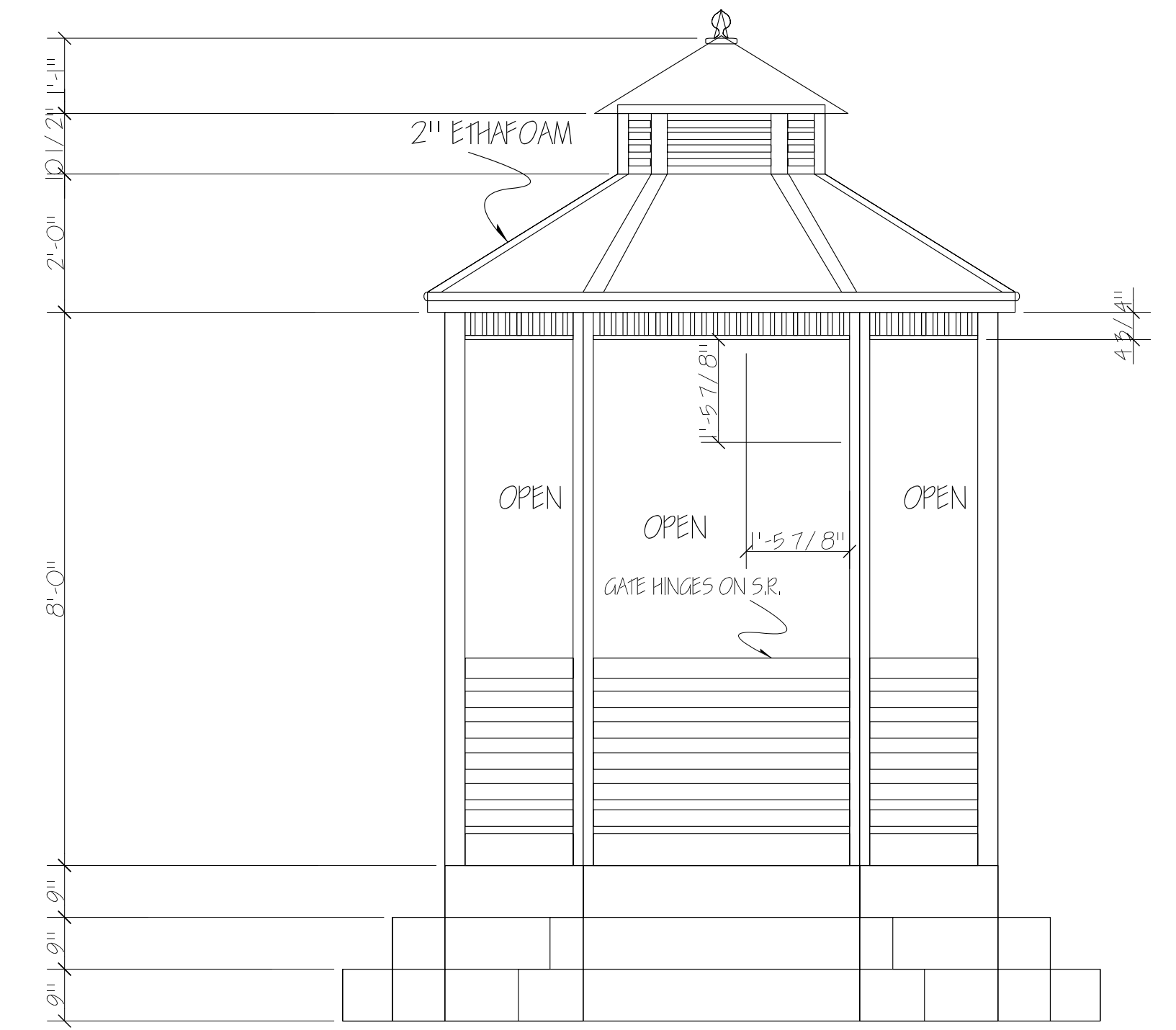
NOTE: FRAME, COVER COMPLETE AND ROUTE
NOTE: BUILD 3

4 DOWNSTAGE GAZEBO WALL
SCALE: 1/2" = 1'-0"



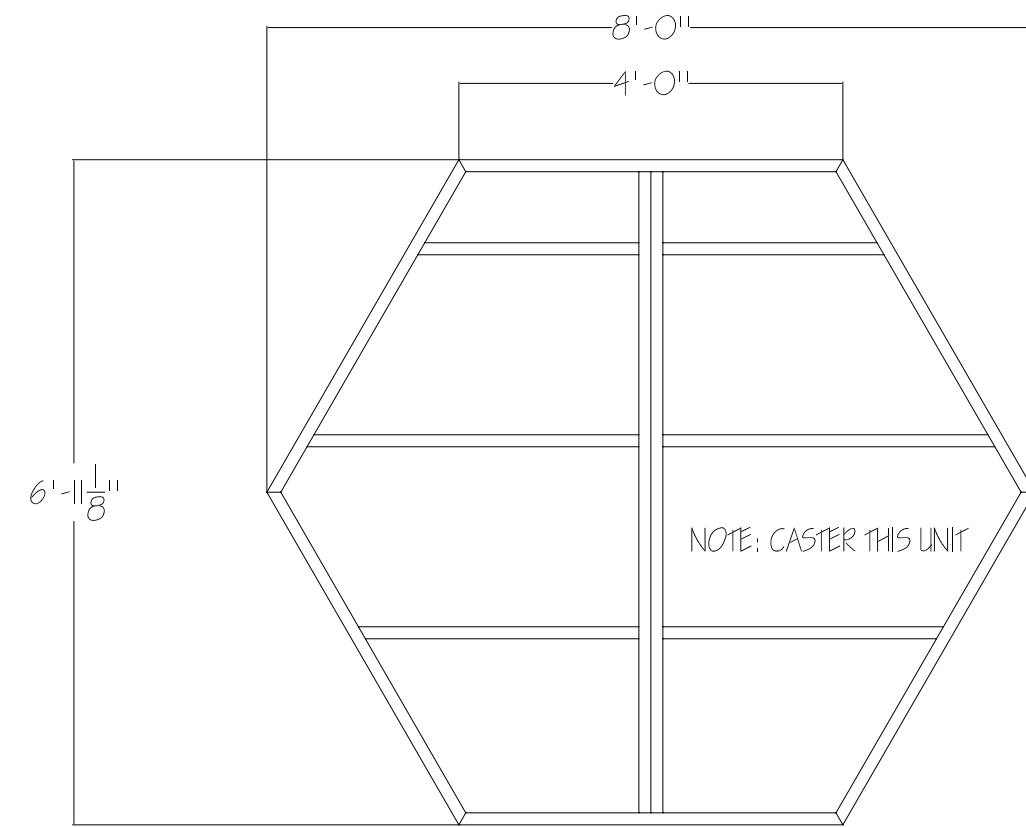
NOTE: FRAME, COVER COMPLETE AND ROUTE
NOTE: BUILD 3

5 UPSTAGE GAZEBO WALL
SCALE: 1/2" = 1'-0"

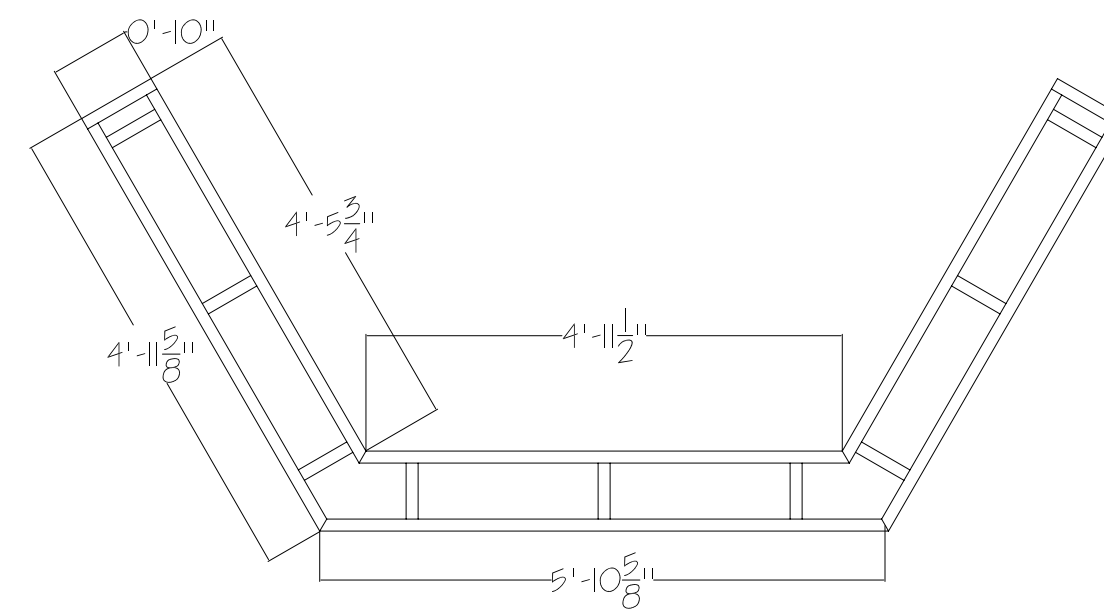


NOTE: SEE JON AND TYMBERLEY RE: GATES

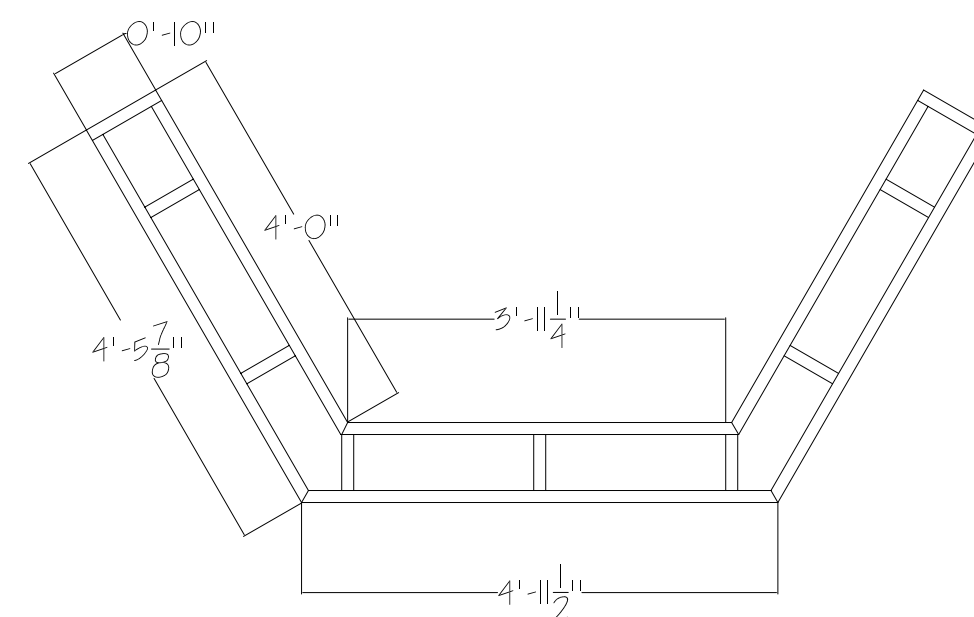
6 GAZEBO OVERVIEW
SCALE: 1/2" = 1'-0"



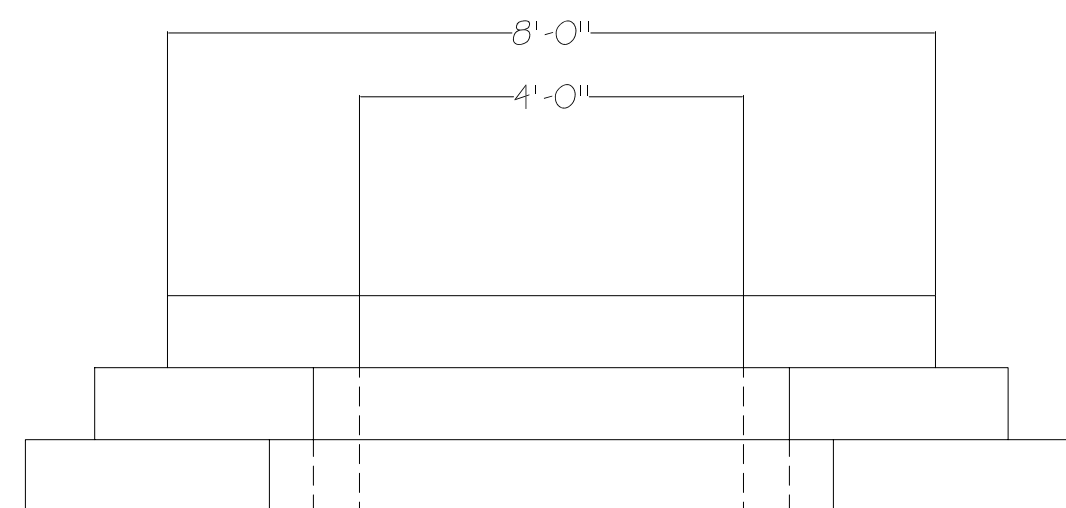
7 GAZEBO PLATFORM CONSTRUCTION (27")
SCALE: 1/2" = 1'-0"



8 GAZEBO LOWER STAIR (9")
SCALE: 1/2" = 1'-0"



9 GAZEBO UPPER STAIR (18")
SCALE: 1/2" = 1'-0"



10 GAZEBO PLATFORM AND STEPS
SCALE: 1/2" = 1'-0"

MODEL PHOTO			
THE OHIO LIGHT OPERA - 27TH SEASON - 2005			
SORCERER / TULIPITAN			
TECH ELEV.			DWG. NO.
DIRECTOR: JULIE WRIGHT			12-1
DESIGNER: TYMBERLEY WITTRIG			OF _____
TECH DIRECTOR: JONATHAN T. SAGE			CRD:
DRAFTER: JONATHAN T. SAGE			DRAWING DATE:
APPROVED:	DATE:	SCALE:	DRAWING DATE: